



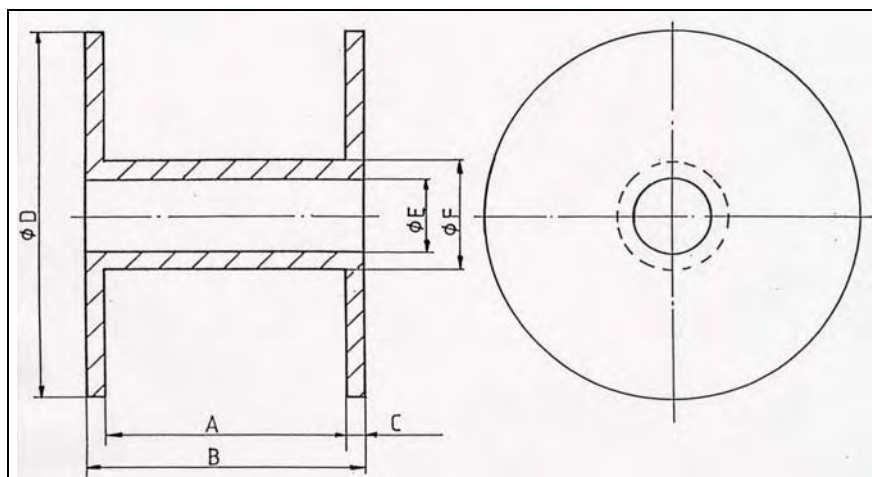
## Strips made of copper and copper alloys

Forms of supply



# Traverse Wound Strips 1

## Drums

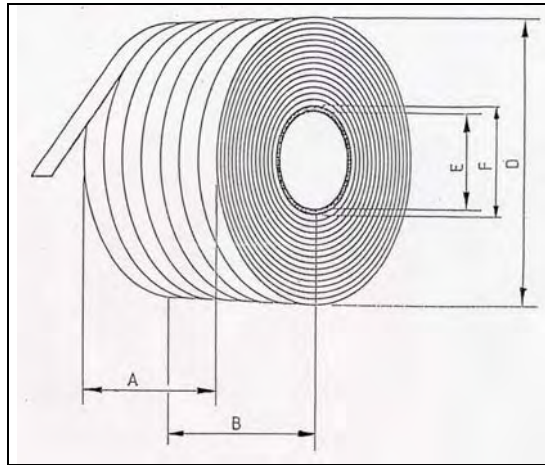


	Drum 1	Drum 2	Drum 3	Drum 4	Drum 5	Drum 8	Drum 9	Drum 10
Type	901	902	903	904	905	908	909	910
<b>Drum Dimensions (mm)</b>								
A	80	150	235	250	290	290	290	270
B	88	190	305	310	330	325	325	320
C	4	20	35	30	20	17,5	17,5	25
D	390	620	705	790	750	750	600	790
E	305	300	300	300	91	160	160	127
F	315	400	400	400	400	400	350	400
Dimensions A-D und F: ca.								
<b>Weights</b>								
Tare Weight of the Drum (abt.)	0,5 kg	8 kg	15 kg	22 kg	20 kg	12 kg	9 kg	21 kg
Net Weight of the Strip (abt.)	20 kg	150 kg	400 kg	500 kg	500 kg	500 kg	300 kg	500 kg
<b>Strip Dimensions (mm)</b>								
Thickness	0,10-0,8	0,10-0,8	0,10-1,0	0,15-1,0	0,15-1,0	0,15-1,0	0,15-1,0	0,15-1,0
Width	3-5	3-25	10-47	10-47	10-47	10-47	10-47	10-47

Other drum types and strip dimensions upon request.

## Traverse Wound Strips 2

Traverse wound strips on cardboard or pertinax cores



Available Dimensions

	Type 1 without cardboard flange	Type 2 without cardboard flange	Type 3 with cardboard flange	Type 4 with cardboard flange
A	200-380 mm	200-380 mm	180-360 mm	180-360 mm
B	200-380 mm	200-380 mm	200-380 mm	200-380 mm
D	max. 1050 mm	max. 1050 mm	max. 1050 mm	max. 1050 mm
E	300 mm	400 mm	300 mm	400 mm
F	330 mm	430 mm	330 mm	430 mm

### Strip Dimensions

Thickness 0,15 – 1,0 mm

Width 15 – 47 mm

### Weight

max. 1800 kg

Other strip dimension upon request.

## A new method to process strips:

# POLYCOIL



Many of our customers require from us longer and longer coils. Now we can offer a new form at low costs: the POLYCOIL. A POLYCOIL is a continuous pancake coil. It consists of a pile of coils of which the ends are welded together alternately on the inside and on the outside. A POLYCOIL can be processed on normal pallet decoilers without downtime due to the change of coils.

### The advantages are

- no drums or cardboard cores, therefore less expense for the logistics
- processing on normal pallet decoilers possible
- longer production time than with single coils
- less down-time
- reduced danger of tool damage and tool wear

### Dimensions

Thickness 0,2-1,0 mm  
Width 15-50 mm  
(other widths on request)

### Pallet weight

acc. to the customer's requirements  
(max. 3 t)

Gebr. Kemper GmbH + Co.KG  
Harkortstr. 5 - D-57462 Olpe  
Tel. (02761)891-0  
Fax (02761)891-202  
info@kemper-olpe.de  
www.kemper-olpe.de

