

**Figure 696 00 KHS-VAV Maximum flow isolating ball valve with flow limiter, 2 l/min. with servodrive, 24 volts AC/DC**

Technical properties	
With integrated primary pressure-dependent flow limiter 2 l/min..	
Medium-contacting parts made of gunmetal	
Removable ‚Top Entry‘ inner head part based on DIN EN 13828 and W 570	
Pressure-impact free operation	
Pressure stage PN 16	
Simple maintenance when installed	
Stagnant-zone-free	
Connection to KHS-Logic System Control with position feedback	
0 ... 10 V position feedback, 0 V = Drive closed / 10 V = Drive completely open	
Supply voltage 24 V AC/DC, Connection cable 1.2m, 5 x 0.5 mm <sup>2</sup>	
Power consumption 5 V / 9 VA	
Maintenance-free transmission	
Permissible ambient temperature up to 55 °C	
Protection class: IP 54	
Plastic parts with PDW certificate	



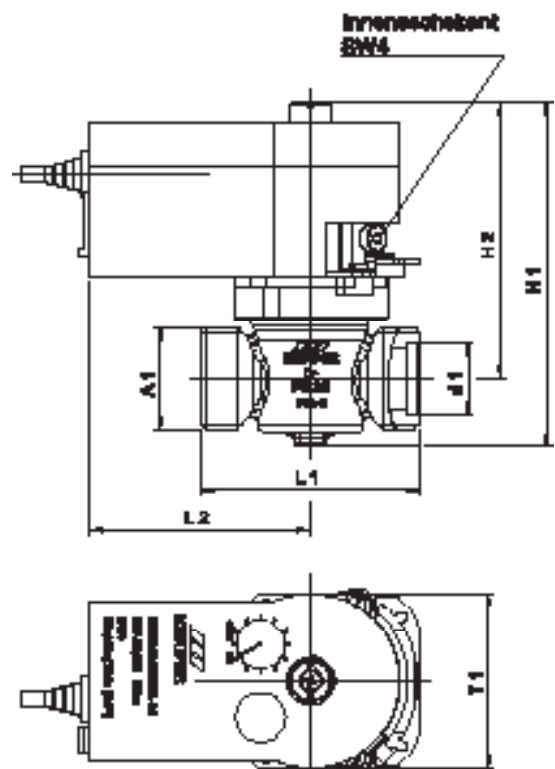
**696 00 KHS-VAV Maximum flow isolating ball valve with servodrive for KHS-Logic, 24 Volts**

Product description / Tender text	
<b>KEMPER KHS-VAV Maximum flow isolating ball valve with servodrive</b> , especially suitable for the KEMPER KHS Hygiene System, consisting of:	
<b>Maximum flow isolating ball valve</b> , with integrated primary pressure-dependent flow limiter 2 l/min, based on DIN EN 13828, corresponds to the drinking water hygiene requirements according to DVGW W 570, made entirely from gunmetal, resistant against aggressive water, brass-free in areas that touch fluids, with maintenance-free spindle sealing, ‚Top Entry‘ head part can be removed from above, made with EPDM gasket body with rotating-supported gunmetal closing body, stagnant-zone-free, can be rotated 90 °, based on DIN/DVGW, with soundproofing certificate, rated pressure PN 16 and	
<b>Servodrive</b> , for connection to KHS-Logic as 2-point controller with valve feedback completely open and completely closed, <b>Supply voltage 24 V AV / DC</b> runtime 90° 35 sec., with step motor and maintenance-free transmission, with self-centring axle adapter and fixed flange for installation on the valve, connection cable 1.2 m, 5 x 0.50 mm <sup>2</sup> ,	
both sides with external (male) thread for universal connection to fittings for copper, steel, stainless steel, multilayer duplex tubes, from DN 15 (3/4")	

Optionally available accessories	
Connection screws	476

Dimensions		
<b>Nominal width</b>	<b>DN</b>	<b>15</b>
Overall height (H1)	mm	135
Overall height (H2)	mm	110
Length (L1)	mm	68
Length (L2)	mm	89
Connection dimension (A1)		G 3/4
Depth (T1)	mm	72
Diameter (d1)	mm	18

Materials	
Housing, head part	Gunmetal
Spindle	Gunmetal
Flow limiter	Plastic
Coupler	Brass
Drive housing	Self-extinguishing plastic
Axis adapter	Steel
Flange adapter	PA



**Figure 696 00 KHS-VAV Maximum flow isolating ball valve  
with flow limiter, 2 l/min.  
with servodrive, 24 volts AC/DC**

**Technical information**

**Scope of application**

- Install the KHS-VAV in drinking water installations for the KEMPER hygiene system to maintain the intended use in CDW and WDW operation.
- Especially for dynamic flow distributors in CDW
- The valve can be used together with the KEMPER KHS-Logic control system or for building control systems.
- The valve is not suited to restricting volume flows, so its intended use is solely for FULL OPENING or FULL CLOSING.

**Service**

- According to DIN 1988-1, the operator is to perform an annual inspection
- More information is available in the installation and operating instructions