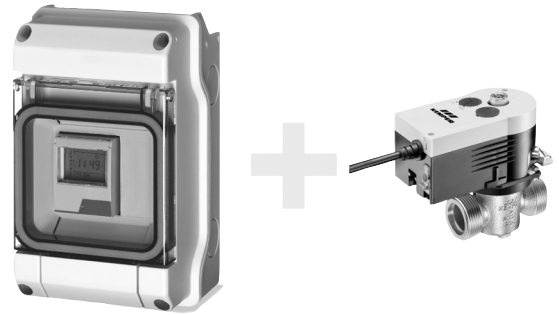


Figure 696 06 KHS Timer set

includes the timer and VAV with servodrive and flow limiter 2 l/min.

Technical properties

With integrated primary pressure-dependent flow limiter 2l/min. .
 Power supply 230 V
 Switching capacity 16 (10) A/230-250 V
 Internal consumption 6 VA (about 1 W)
 32 memory locations, precise switching operations
 Clock accuracy +/- 1s/ day at 23 °C
 Ambient temperature range from -10 °C to 45 °C
 Protection class IP 65
 Flame resistant, self-extinguishing, halogen-free
 In conformity with EN 13828 and W 570
 Medium-contacting parts made of gunmetal



696 06 KHS Timer Set with VAV with servodrive

Product description / Tender text

KEMPER KHS Timer set, for time-controlled flushing of terminal or seldom-flooded pipeline sections, consisting of:

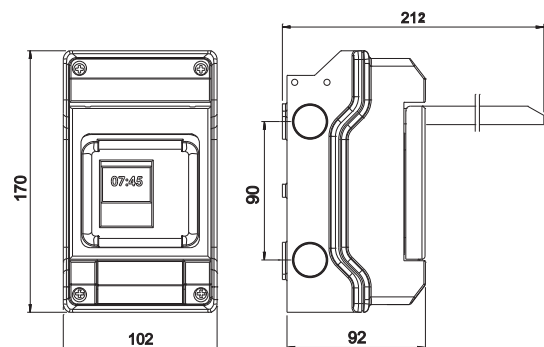
Digital timer for triggering the servodrive for programming the desired flushing time and flushing duration on all weekdays, cyclic program, smallest switching time 1 minute, clock accuracy $\pm 1\text{s/day}$ at 23 °C, On / Off switching operations, 32 memory locations programmable, operating temperature range -10 °C to +45 °C, 230 VAC, 45-60 Hz, switching capacity 16 A / 250 V, operational reserve 4 years without power, integrated in a machine housing, hinged with inspection glass, splashproof according to protection class IP 65, protection class II according to EN 60335, suitable for wall installation and

Maximum flow isolating ball valve, extremely low-pressure loss version, with integrated primary pressure-dependent flow limiter 2 l/min, based on DIN EN 13828, corresponds to the drinking water hygiene requirements according to DVGW W 570, made entirely from gunmetal, resistant against aggressive water, brass-free in areas that touch fluids, with maintenance-free spindle seal, 'Top Entry' head part can be removed from above, made with EPDM gasket body with rotating-supported gunmetal closing body, stagnant-zone-free, can be rotated 90 °, based on DIN/DVGW, with soundproofing certificate, rated pressure PN 16 and 16

Servodrive, for controller with switching output, 2-point control, supply voltage 230 V AC, runtime 90° 30 sec., with synchronous motor and maintenance-free transmission, electronic final position detection and motor switch-off via a timer in the unit, with self-centring axis adapter and fixed flange for mounting on the valve, connection cable 1.2 m, 3 x 0.75 mm²

Maximum flow isolating ball valve with outer (male) thread according to DIN 3546, Part 1, for universal connection to fittings for copper, steel, stainless steel and multilayer duplex tubes, from DN 15 (3/4")

Dimensions KHS-VAV Maximum flow isolating ball valve with servodrive and flow limiter, see datasheet Figure 696 04



Materials

Housing	Plastic, flame resistant
Maximum flow isolating ball valve housing, spindle	Gunmetal
Flow limiter	Plastic
Seal element	EPDM
Coupler	Brass
Drive housing	Self-extinguishing plastic
Axis adapter	Steel
Flange adapter	PA

Figure 696 06 KHS Timer set
includes the timer and VAV with servodrive and flow limiter 2 l/min.

Technical information

Scope of application

- The KHS-Timer set is available in combination with the KHS-VAV with servodrive (Figure 696 06 = Figure 696 04 + Figure 686 02 011) or the KHS-VAV plus Maximum flow isolating ball valve with servodrive and spring reset (Figure 696 07 = Figure 696 05 + 686 02 011).
- Especially for dynamic flow distributors in CDW
- Application area is stagnating drinking water lines for stagnation prevention.
- Day or week programming with smallest switching time of 1 sec. can be set.
- Time timer has 32 programmable memory locations in blocks plus automatic switchover between daylight savings - standard time.