

**Figure 640 03 KHS concealed Venturi Multi-Circ Distributor Unit, Flow and discharge with FT, Drain DN 20 / 15**

Technical properties
Fluid-contacting parts made completely of gunmetal
For forced-vortex flow and continual water exchange in sanitary block
With Venturi nozzle engineering
Minimal pressure differences
Maximum flow isolating ball valve DIN-/DVGW-approved according to DIN EN 13828, W 570
VAV with removable head part 'Top Entry'
Soundproofing tested in accordance with DIN EN ISO 3822
Pressure stage PN 16
Stagnant-zone-free
Insulating shell building material class B1 compliant with DIN 4102



**640 03 KHS-Venturi Multi-Circ Distributor Unit for concealed mounting with female thread**

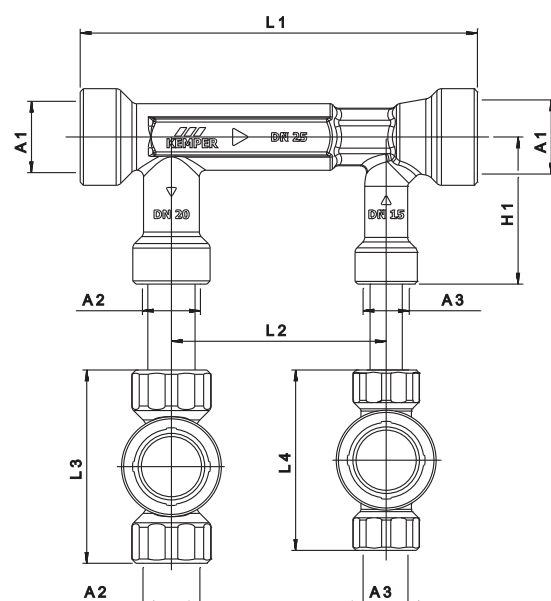
Product description / Tender text
<b>KEMPER KHS-Venturi Multi-Circ Distributor Unit</b> , for concealed installation in sanitary block area, for forced-vortex flow of the sanitary blocks In ring circuit installation for cold-water water tapping valves and furnishings, especially suitable for the KHS KEMPER Hygiene System comprising:
<b>Flow distributor</b> based on the Venturi principle, with sanitary block feed line and sanitary block return line, made completely from gunmetal, resistant against aggressive water, with soundproofing certificate,
<b>Concealed Maximum flow isolating ball valves</b> , extremely low-pressure loss version, compliant with DIN EN 13828 corresponds to the drinking water hygiene requirements according to DVGW W 570, made entirely from gunmetal, resistant against aggressive water, brass-free in areas that touch fluids, with maintenance-free spindle sealing, 'Top Entry' head part can be removed from top, made with EPDM gasket body with rotating-supported gunmetal closing body, stagnant-zone-free, with continuously adjustable, plastic shaft that can be cut to length, depth up to 100 mm, as wall installation unit- Assembly kit 1, with DIN/DVGW and soundproofing certificate, rated pressure PN 16 and
<b>Insulating shells</b> for maximum flow isolating ball and distributor unit, made of closed cell foamed polyethylene with additional, permanent outer shell, building material class B1 compliant with DIN 4102, Thermal conductivity according to ISO 2581 0.035 W/mK, can be sealed diffusion-resistant with commercially available glues,
<b>Distributor unit inlet and output side with female thread from DN 20 (3/4") to DN 32 (1 1/4")</b> ,
<b>Sanitary block feed line DN 20 (3/4") and return line DN 15 (1/2") with female thread per each concealed maximum flow isolating ball valve VAV with DN 20 (3/4") and DN 15 (1/2") female thread</b>

- For more information please see reverse side

Optionally available accessories	
Final assembly set with handle	590 00 025
Final assembly set as a change stopper	591 00 025

Dimensions				
Nominal width	DN	20	25	32
Overall height (H1)	mm	58.5	68.5	73.5
Length (L1)	mm	185	185	195
Length (L2)	mm	100	100	100
Length (L3)	mm	90	90	90
Length (L4)	mm	84	84	84
Connection dimension (A1)		Rp 3/4	Rp 1	Rp 1 1/4
Connection dimension (A2)		Rp 3/4	Rp 3/4	Rp 3/4
Connection dimension (A3)		Rp 1/2	Rp 1/2	Rp 1/2

Materials	
Flow distributor	Gunmetal
Housing, interior head part	Gunmetal
Seal element	EPDM
Shaft, push-on spindle, cap	Plastic
Insulating shell	Polyethylene



**Figure 640 03 KHS concealed Venturi Multi-Circ Distributor Unit,  
Flow and discharge with FT, Drain DN 20 / 15**

**Technical information**

**Area of application**

- The KHS Venturi Multi-Circ Venturi Distributor Unit provides a facility for controlled forced flow-through in drinking water systems by using tailor-made and innovative pipeline network structuring.
- Together with the automatic KHS flushing equipment, a continuous drinking water exchange is produced to implement drinking water system operation in accordance with the requirements.
- Every time water is withdrawn, which takes place in the flow path behind the KHS-Multi-Circ Venturi Distributor Unit, the water is also moved in the upstream ring lines, producing a continuous exchange.
- That means permanent stagnation prevention.
- Make sure the CDW line is laid out as a ring line and that all CDW consumers are looped (avoid T-installations).
- It is recommended to calculate the hydraulic conditions in the DW system, e.g. with the Dendrit software.
- Install the KHS-Multi-Circ Distributor Unit only together with KHS-VAV as KEMPER can only guarantee functional operation in bypass mode only with these valves (0 pressure-loss).

Figure	Flow distributor unit			Concealed VAV	
	Throughlet	Feed line	Return line	Feed line	Return line
640 03 020	IG 3/4"	IG 3/4"	IG 1/2"	IG 3/4"	IG 1/2"
640 03 025	IG 1"	IG 3/4"	IG 1/2"	IG 3/4"	IG 1/2"
640 03 032	IG 1 1/4"	IG 3/4"	IG 1/2"	IG 3/4"	IG 1/2"