



**Produktmerkmale**

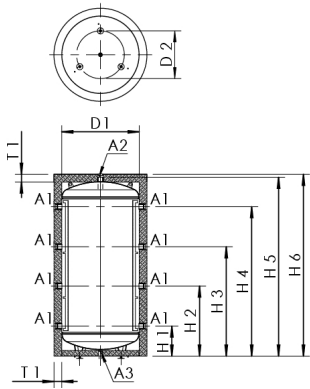
- gedämmter Heizungspufferspeicher
- zur Bevorratung von erwärmtem Heizungswasser
- Leitblech zur turbulenzarmen Beladung
- Speicher verfügt über 8 seitliche Anschlüsse und 1 oberen Anschluss
- Innengewinde

**Normen und Zulassungen**

- Baustoffklasse B1 nach DIN 4102

**Technische Daten**

- Druckstufe PN 3
- max. Betriebstemperatur 95 °C
- Wärmeleitfähigkeit 0,0316 W/mK



Bestellnr.	A2	A3	D1 (mm)	D2 (mm)	Energieeffizienzklasse	H1 (mm)	H2 (mm)	H3 (mm)	H4 (mm)	H5 (mm)	H6 (mm)	Kippmaß (mm)	Volumen Betriebsmittel (l)	T1 (mm)	Warmhalteverluste (W)
9500050000	G 1 1/4		650	450	B	315	665	1015	1365	1630	1710	1700	500	100	75
9500085000	G 1 1/2		750	600	C	350	870	1380	1900	2230	2270	2250	850	100	101
9500100000	G 1 1/2	G 1 1/4	790	580	C	355	875	1385	1905	2235	2285	2260	1000	100	110
9500150000	G 2	G 1	1000	640	C	420	940	1450	1970	2350	2390	2380	1500	120	143
9500200000	G 2	G 1	1100	700	C	430	950	1460	1980	2380	2415	2400	2000	120	160
9501100000	G 1 1/2	G 1 1/4	850	570	C	390	825	1255	1690	2030	2075	2040	1000	100	118

The image shows an energy label for a KTS ThermoTank S. At the top left is the European Union flag. To its right is the word 'ENERG' in large letters, with 'енергия · ενεργεια' below it. Further right are four circular icons containing the letters Y, IJA, IE, and IA. Below this header, the manufacturer 'Gebr. KEMPER GmbH + Co. KG; Olpe' and the product 'KTS ThermoTank S; T500 - Ø650' are listed. A small icon of a tank is shown. A vertical scale of energy efficiency classes from A+ to F is displayed, with a black arrow pointing to class B. Two boxes at the bottom show '75 W' and '500 L'. The years '2017' and '812/2013' are at the bottom corners.

Gebr. KEMPER GmbH  
+ Co. KG; Olpe

KTS ThermoTank S;  
T500 - Ø650

**A<sup>+</sup>**  
**A**  
**B**  
**C**  
**D**  
**E**  
**F**

**B**

**75** W

**500** L

2017 812/2013